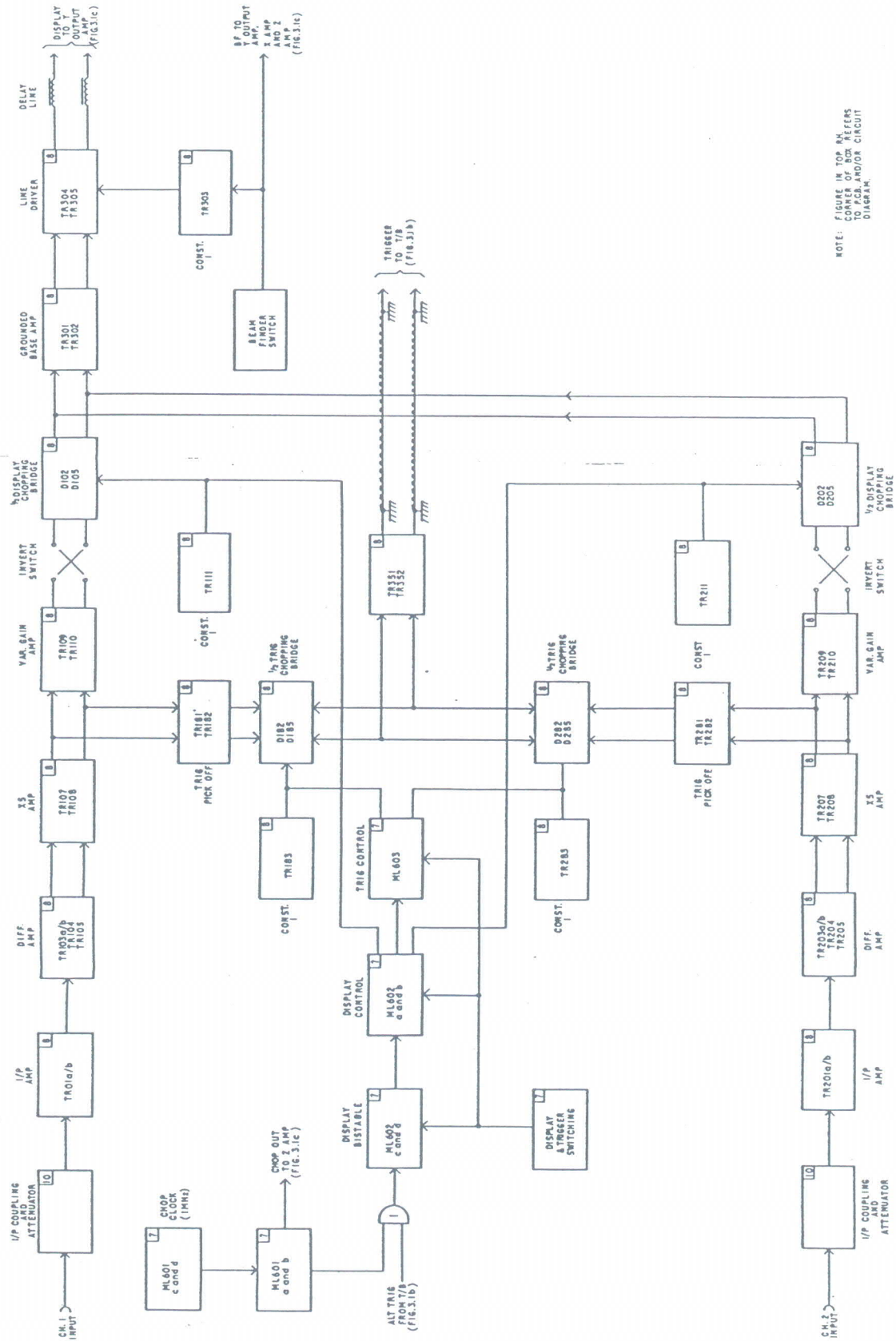


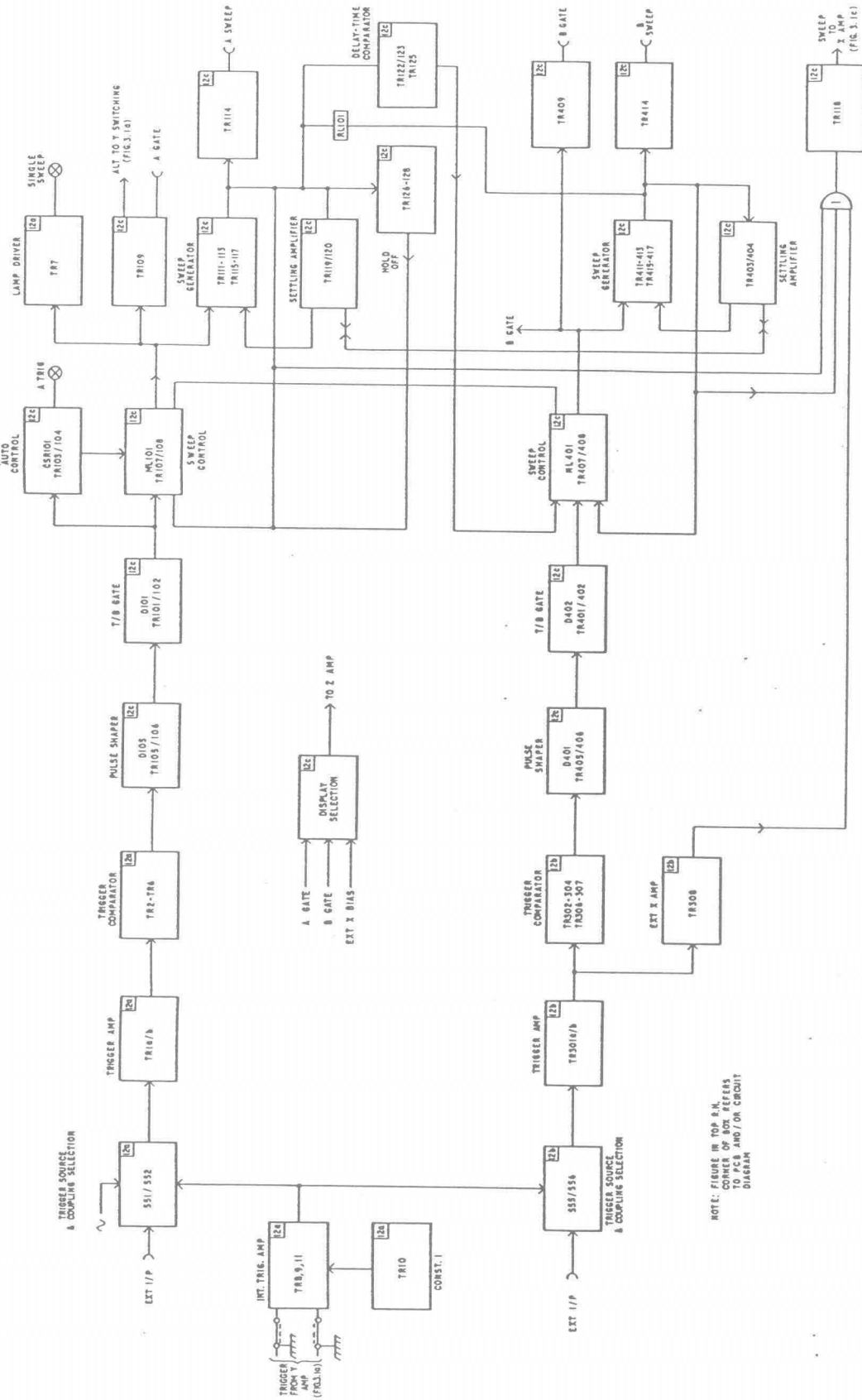
4100 OSCILLOSCOPE



NOTE: FIGURE IN TOP RH CORNER OF BOX REFERS TO PCB AND/OR CIRCUIT DIAGRAM.

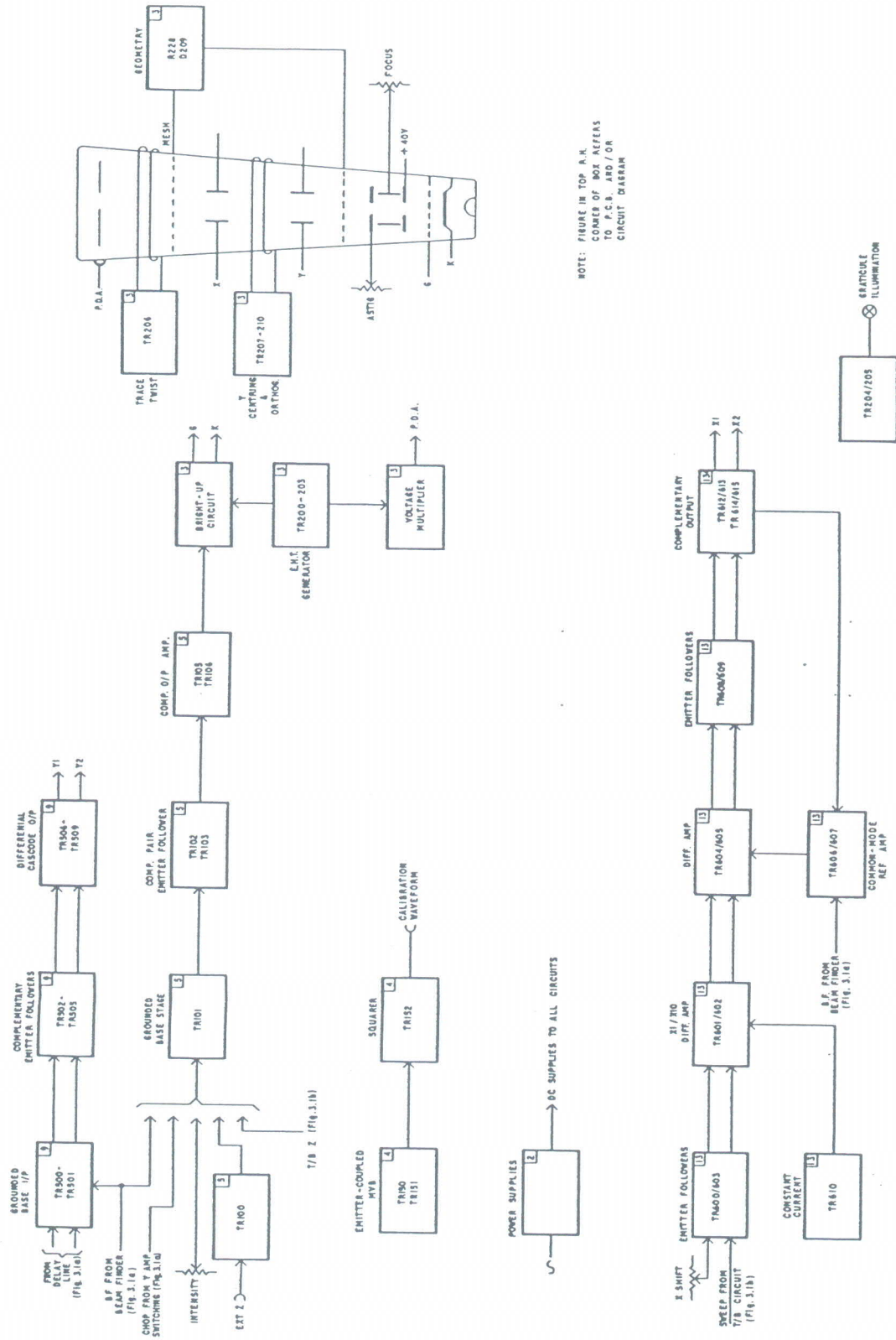
FIG. 3. 1b
1st ISSUE

Y AMP AND TRIGGER



SWEEP GENERATION

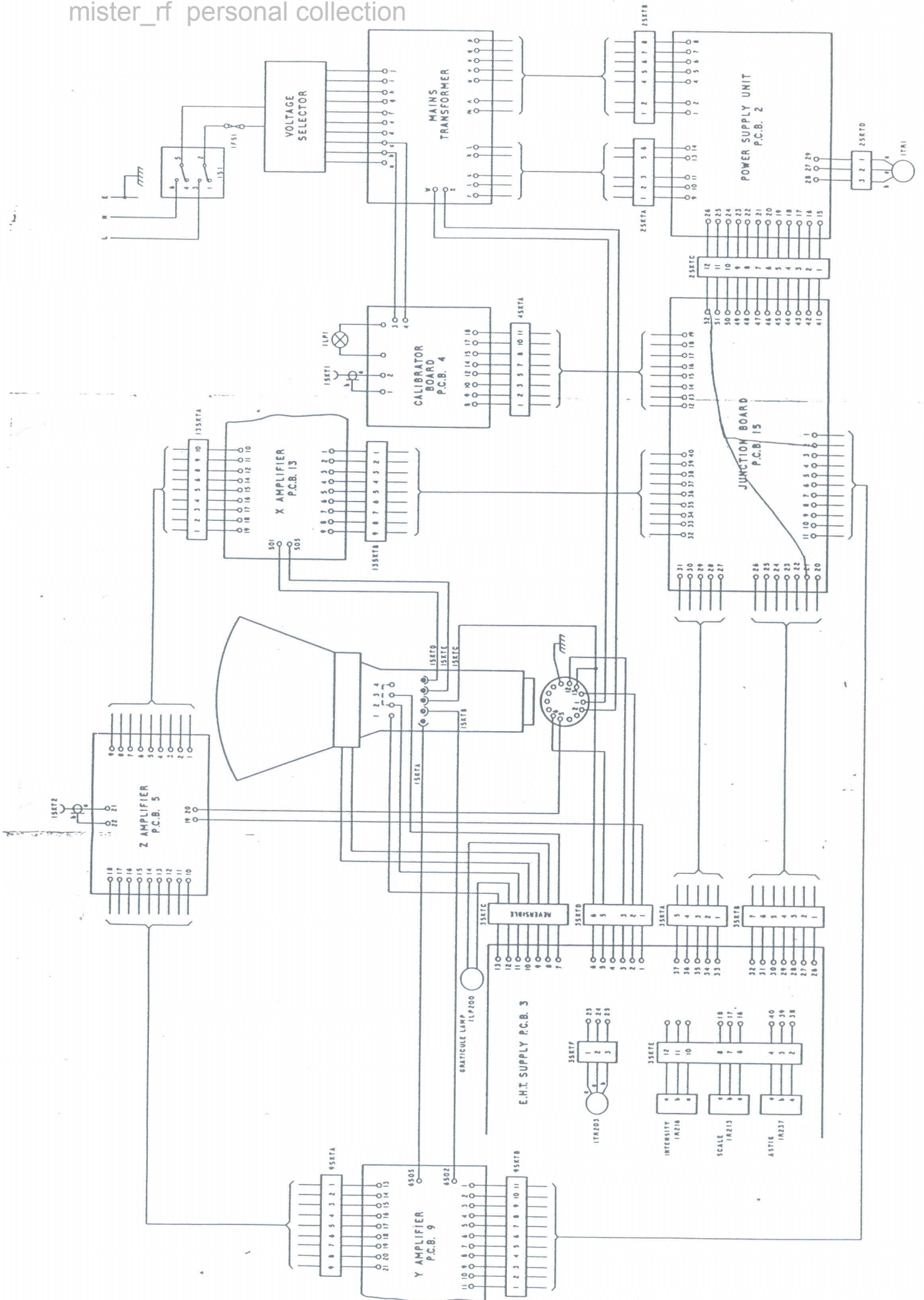
FIG. 3. 1b



NOTE: FIGURE IN TOP A.K. CORNER OF PCB REFERS TO P.C.B. AND/OR CIRCUIT DIAGRAM

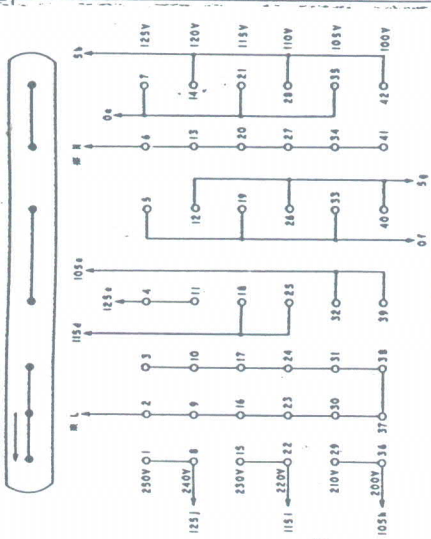
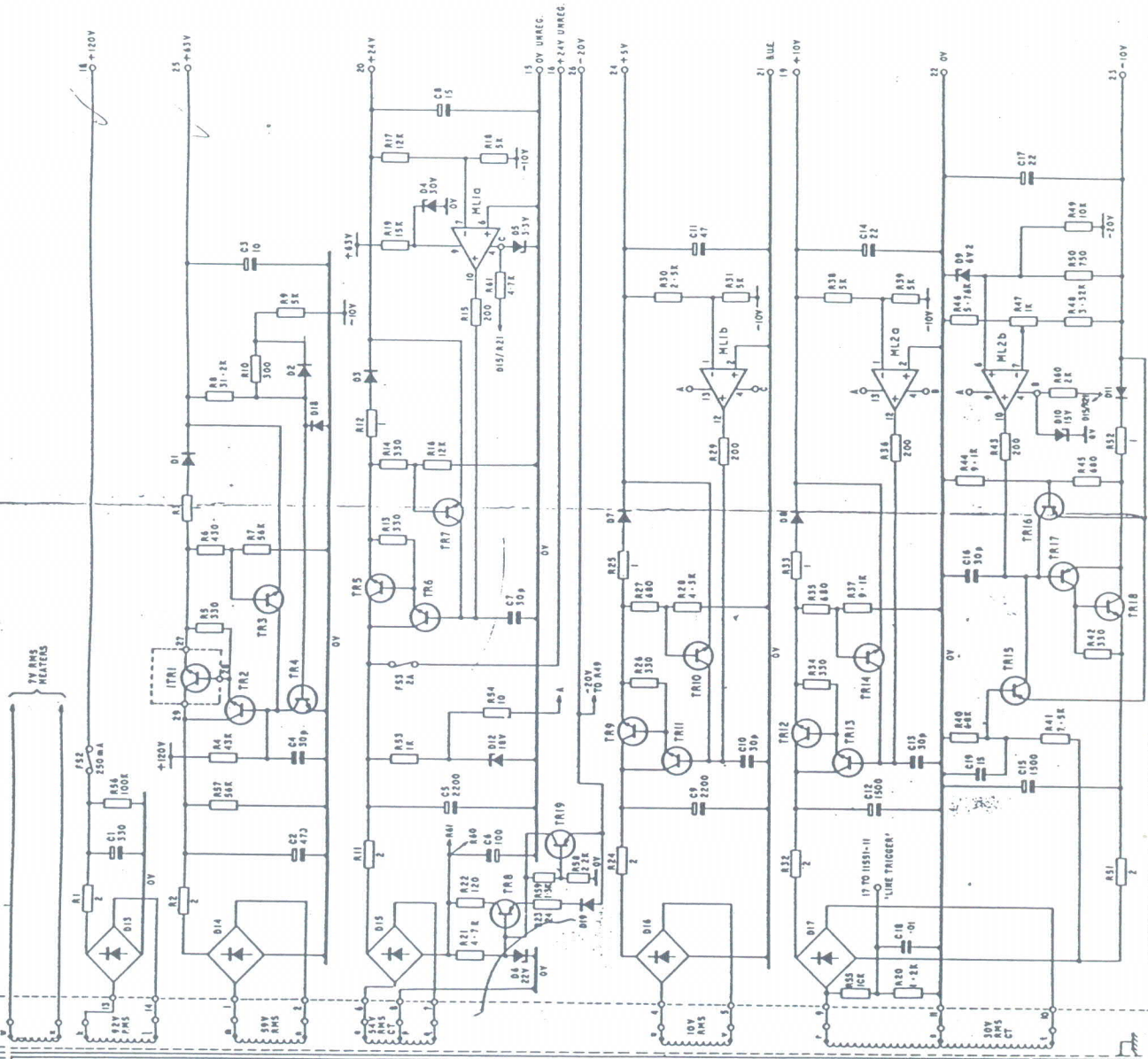
FIG. 3. 1c
2nd ISSUE

CRT AND DISPLAY

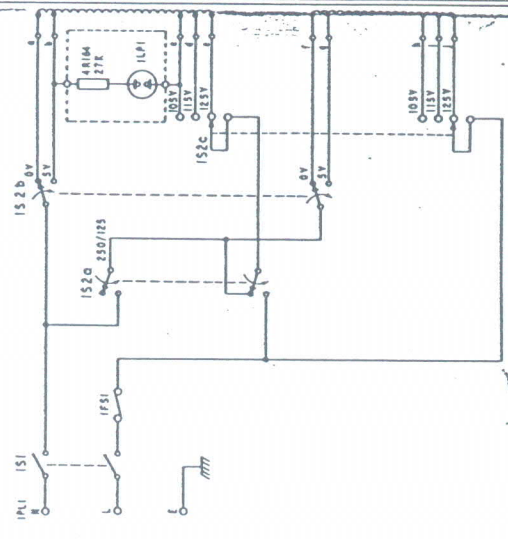


MAINFRAME INTERCONNECTIONS

832390

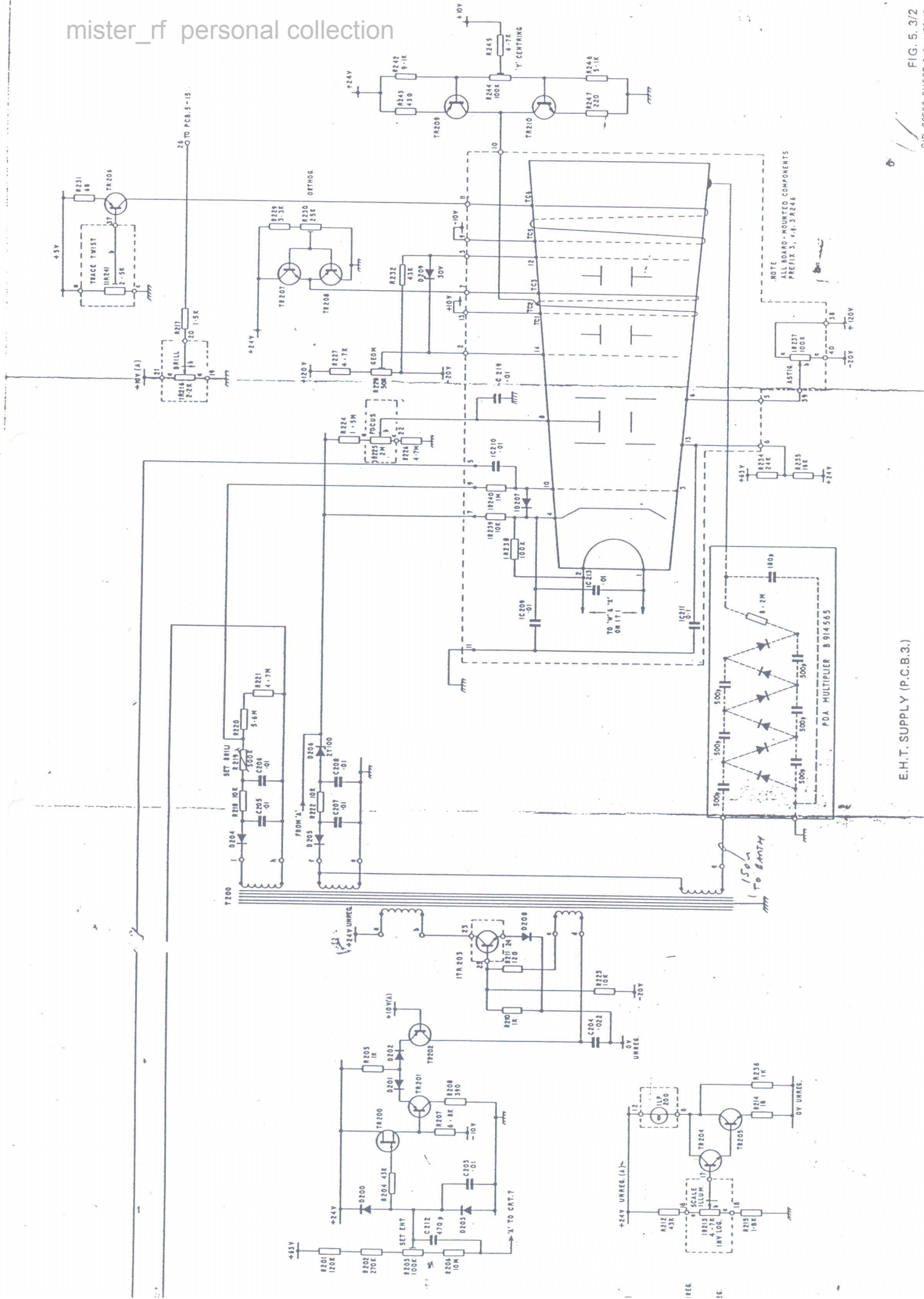


IS2 PRACTICAL
 NOTE: IF PLUG IS INSERTED INTO TOP ROW OF SOCKETS (1-7) WITH ARROW POINTING IN
 1. DIRECTION ABOVE 230V IS SELECTED.
 IF PLUG IS INSERTED INTO TOP ROW WITH ARROW POINTING TO RMS, 125V IS SELECTED.

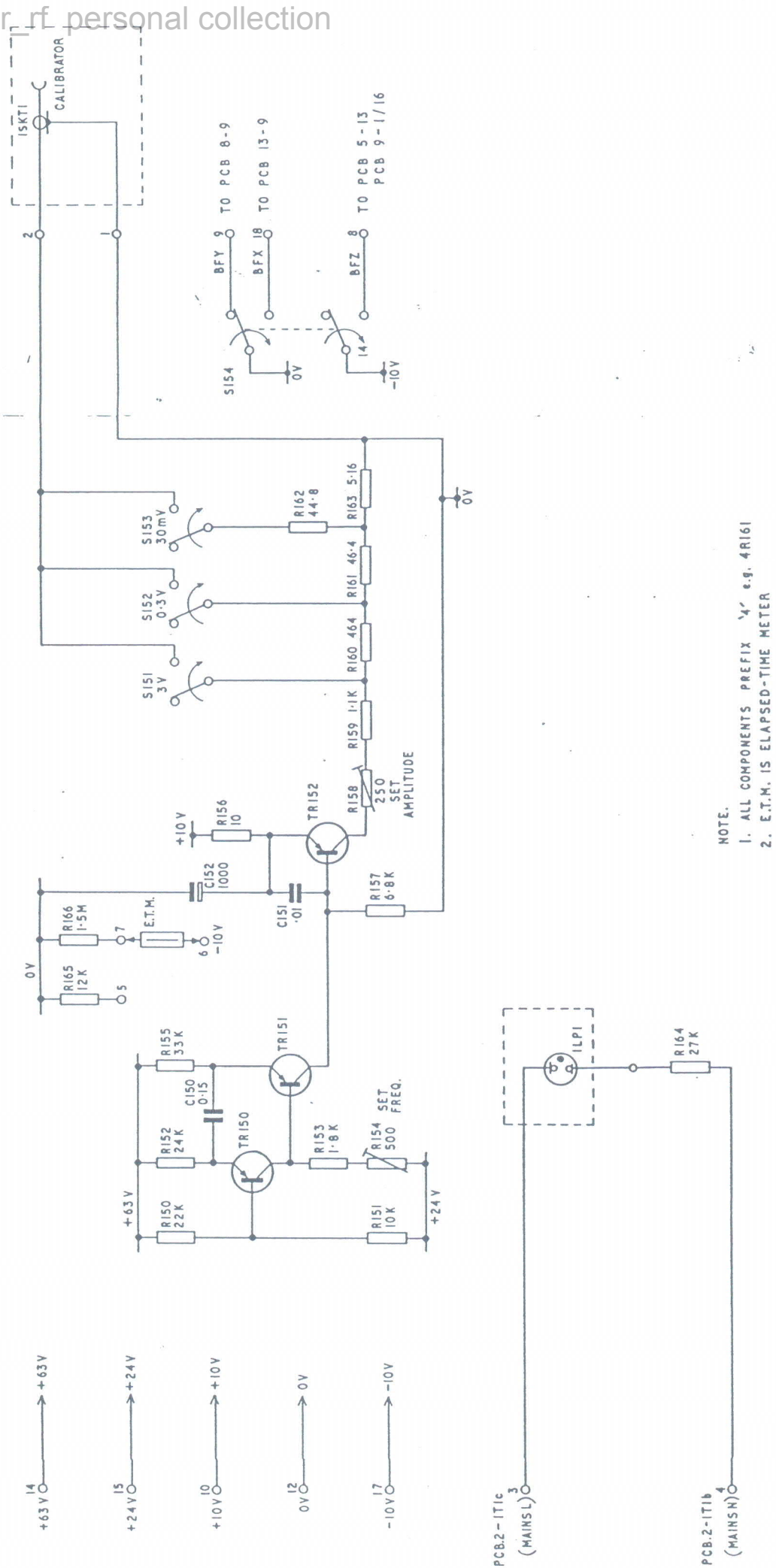


SCHEMATIC
 NOTE: IS2A IS SWITCHED WHEN PLUG IS IN 240/110, 220/110 & 200/100 POSITIONS.
 2. AS PLUG IS IN 230/125 POSITION, WHEN IS2B IS SWITCHED THIS BECOMES
 240/120 ETC.

ALL BOARD MOUNTED COMPONENTS PALETTE 2'

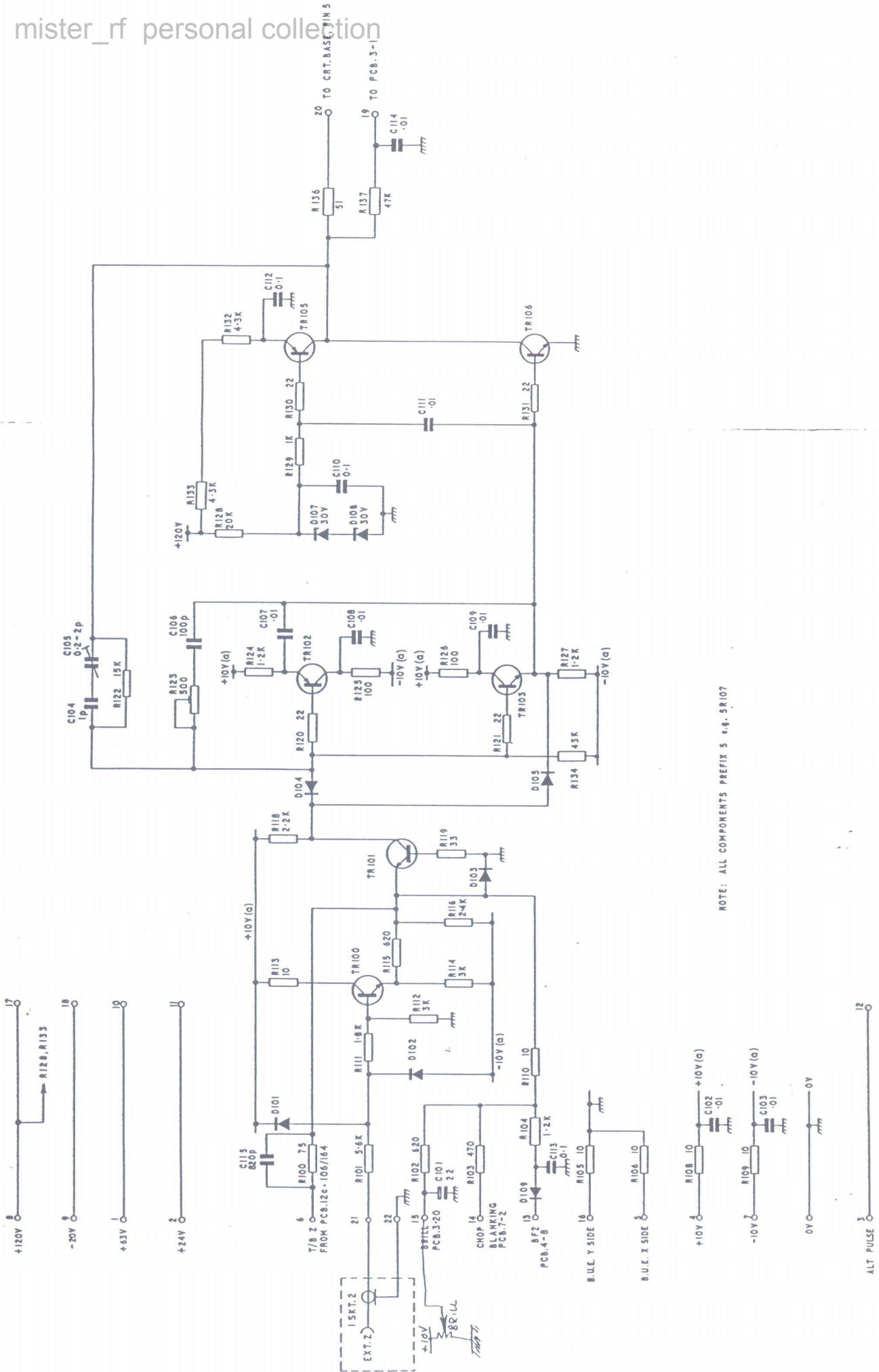


E.H.T. SUPPLY (P.C.B.3.)



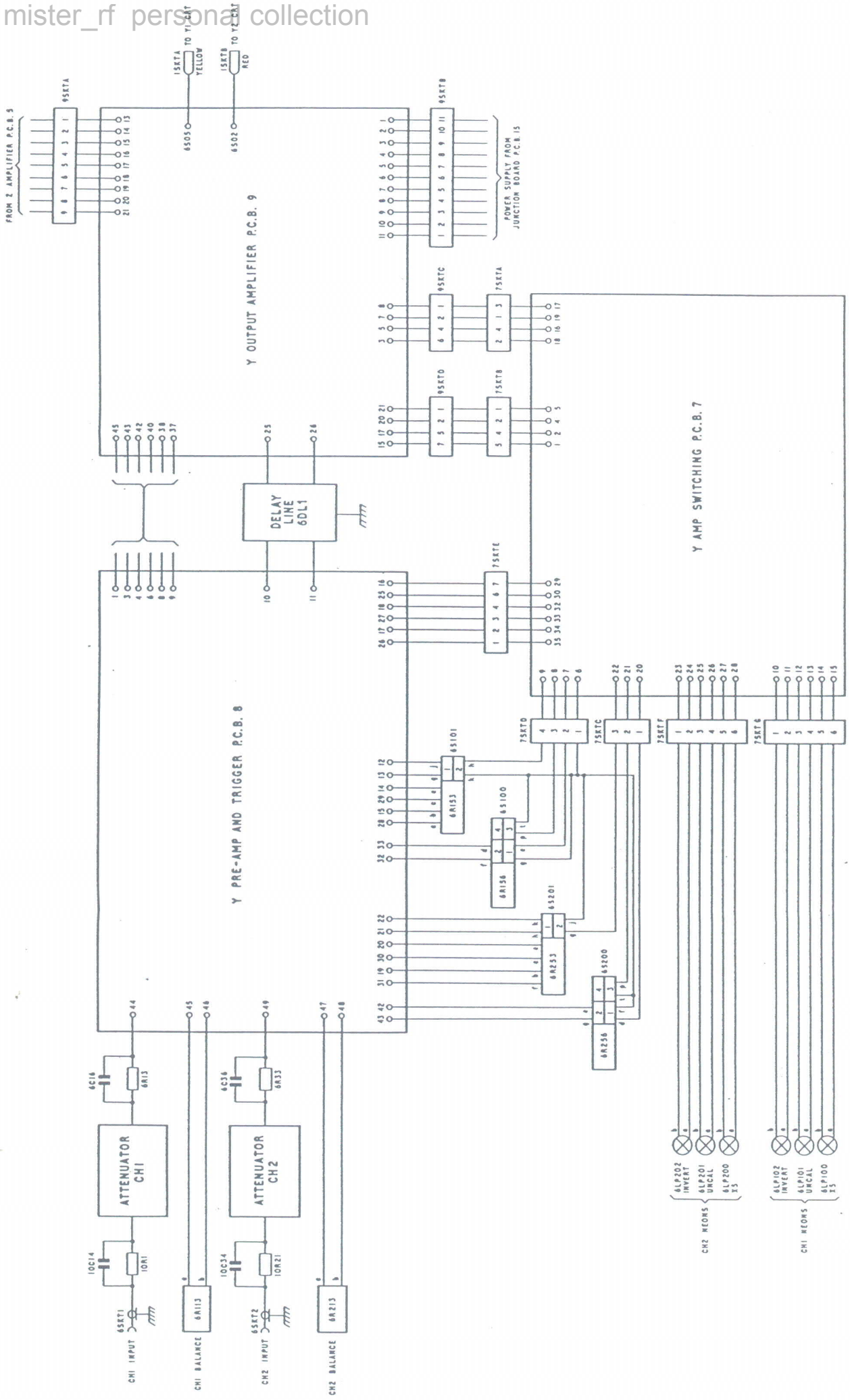
NOTE.
 1. ALL COMPONENTS PREFIX '4' e.g. 4R161
 2. E.T.M. IS ELAPSED-TIME METER

CALIBRATOR BOARD (P.C.B.4.)



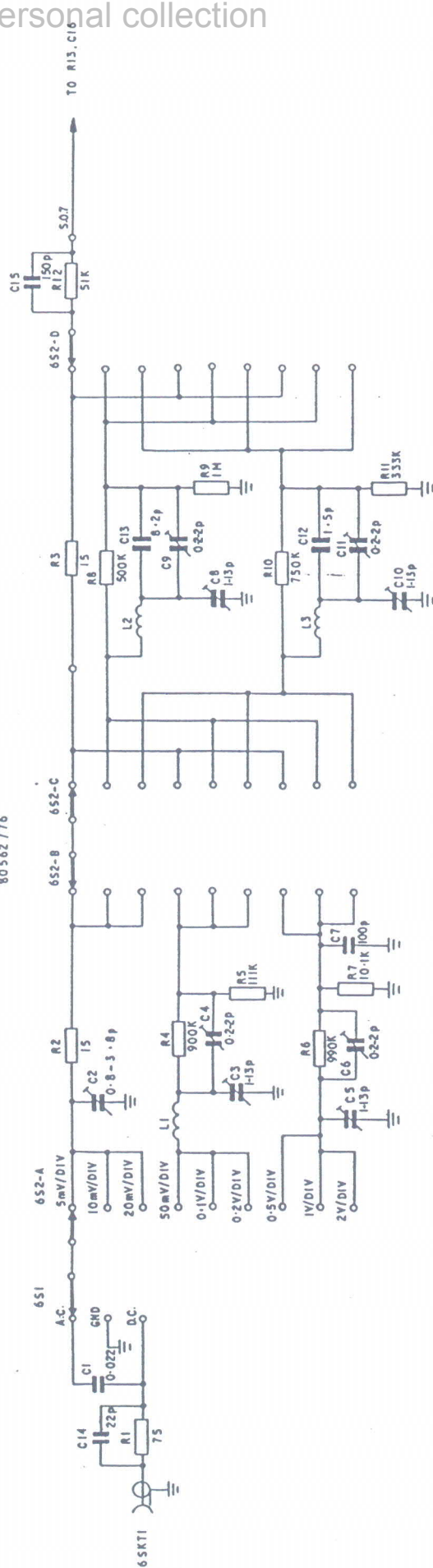
NOTE: ALL COMPONENTS PREFIX 5 e.g. 5R107

Z AMPLIFIER (P.C.B.5.)

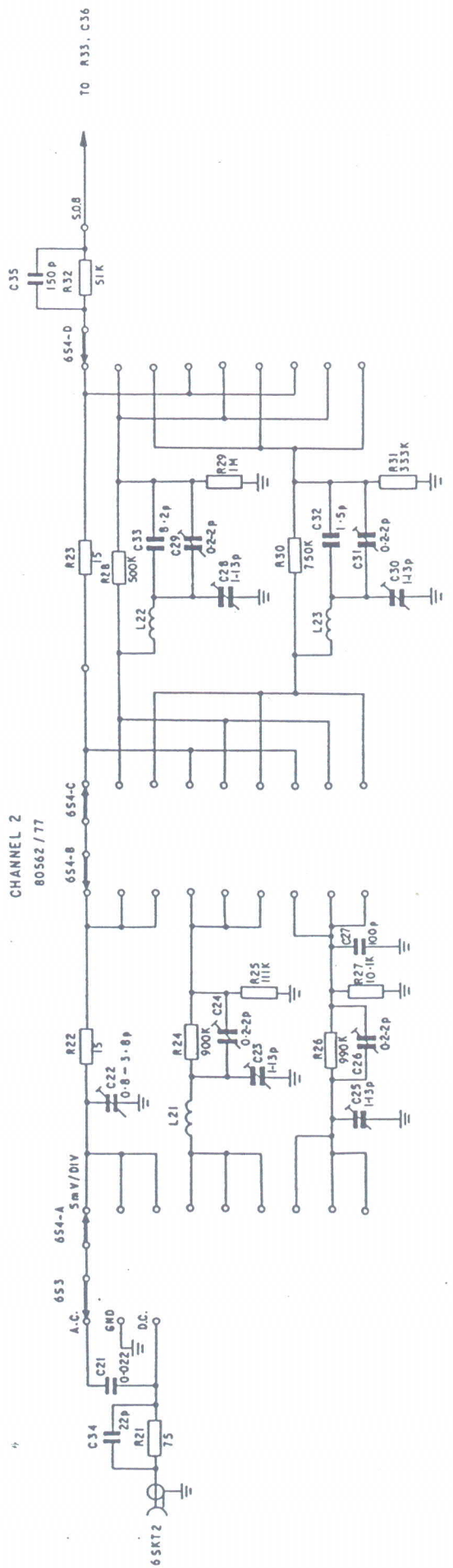


Y SUB ASSEMBLY INTERCONNECTIONS

CHANNEL 1
80562/76

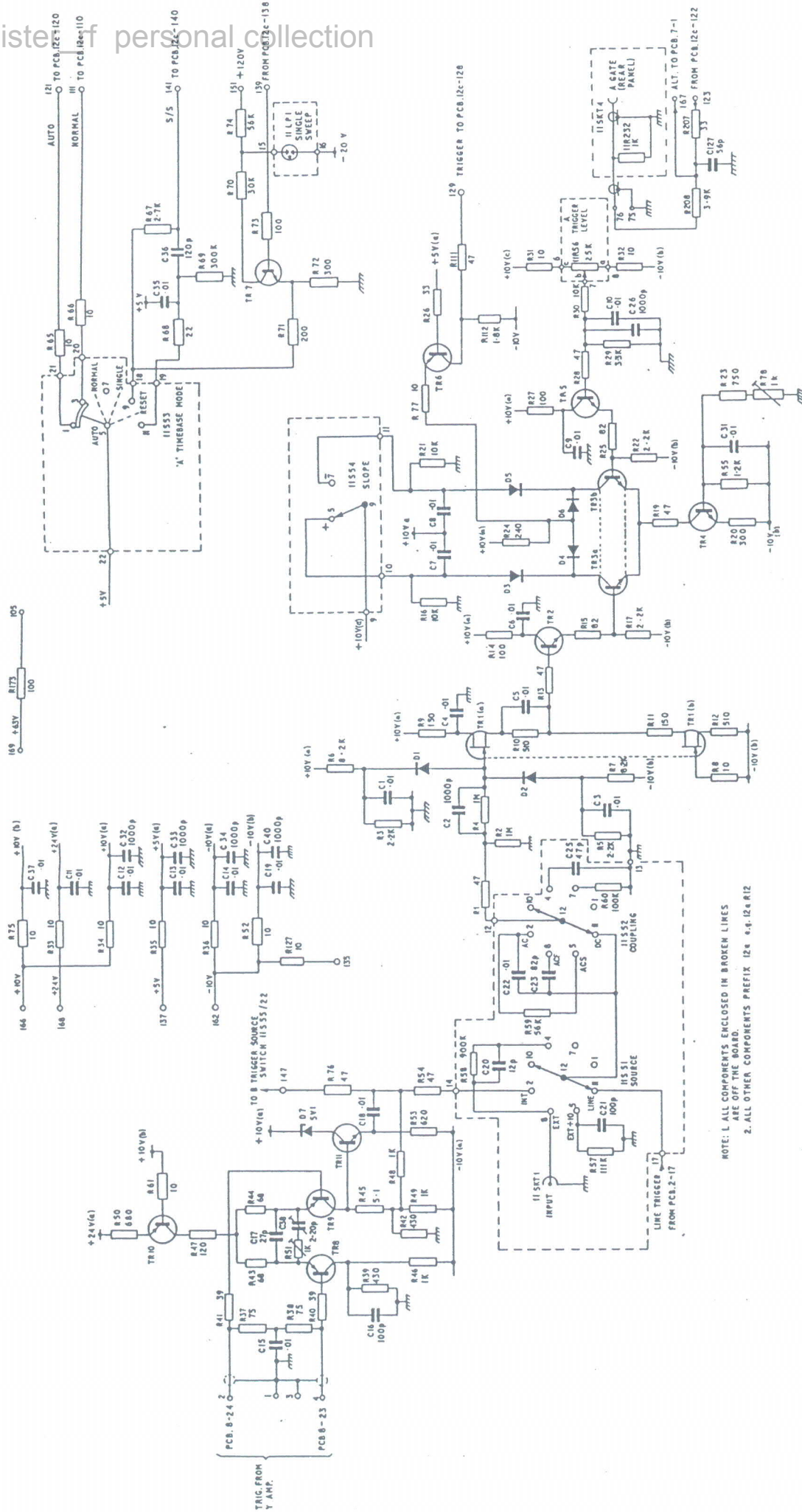


CHANNEL 2
80562/77



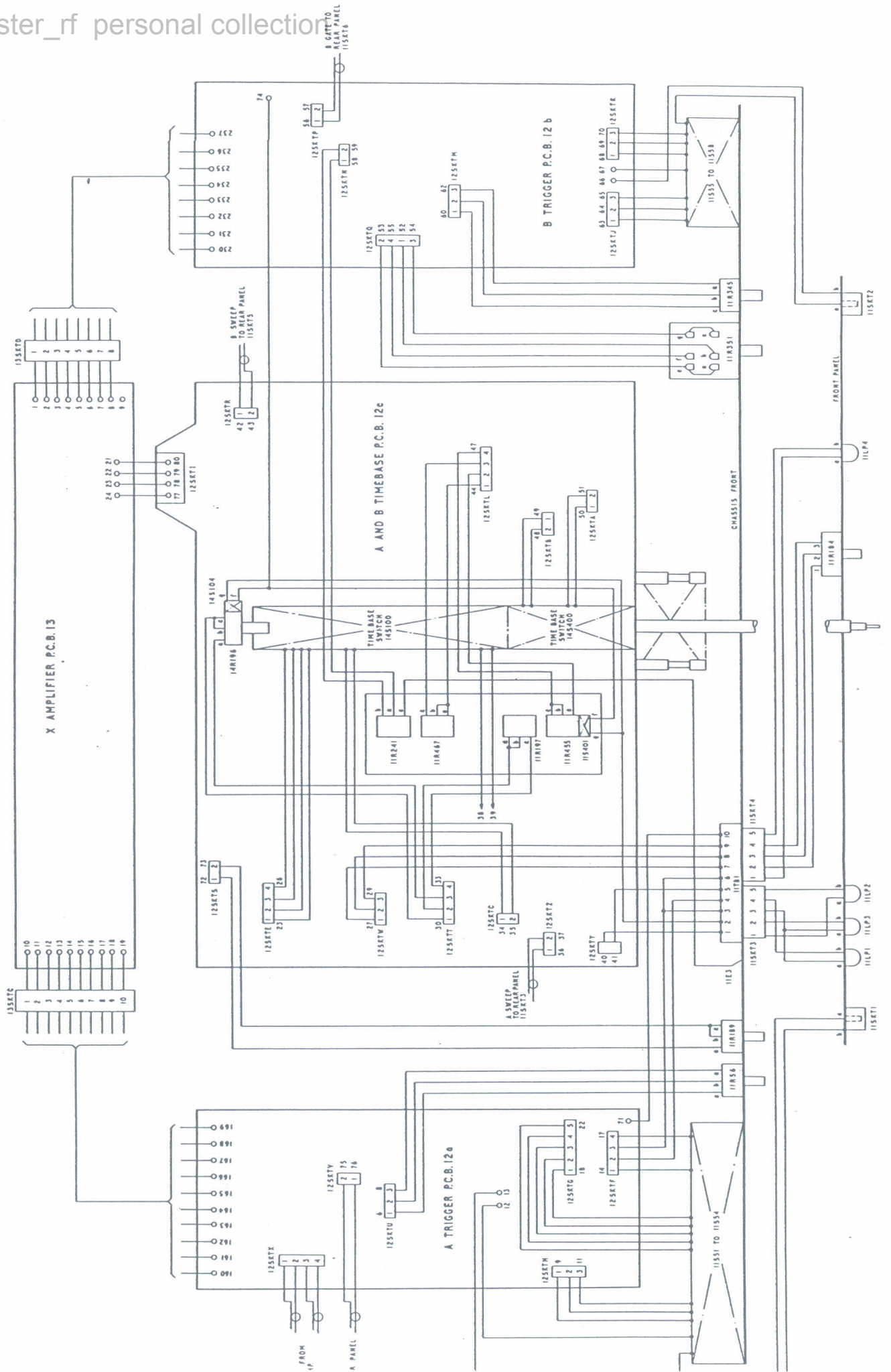
J-19 5.10

AF ENLATORS

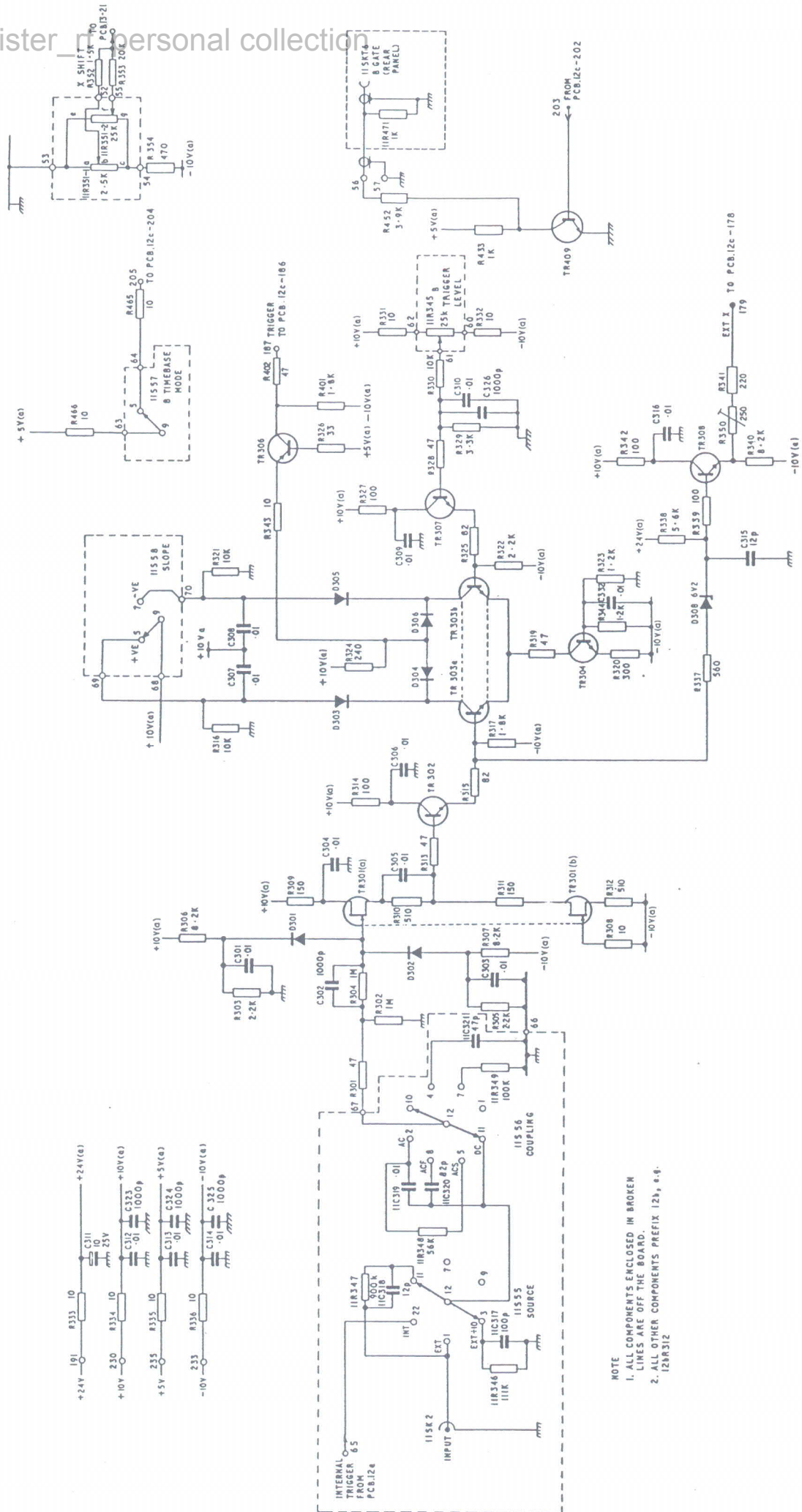


NOTE: 1. ALL COMPONENTS ENCLOSED IN BROKEN LINES ARE OFF THE BOARD.
2. ALL OTHER COMPONENTS PREFIX 12e a.e. 12e.R12

A TRIGGER AND INTERNAL FIGURE AMPLIFIER (P.C.B.12a)



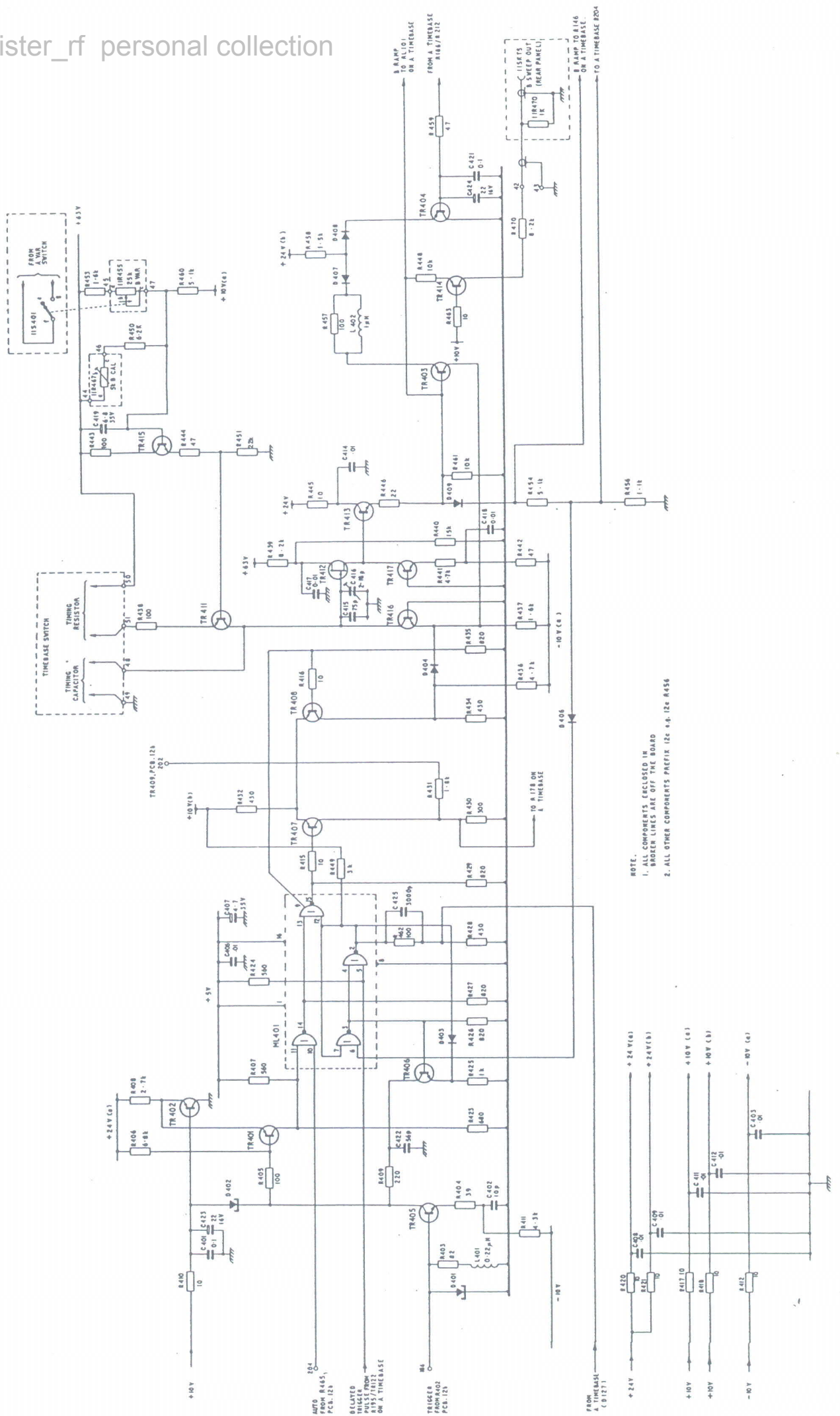
X SUB ASSEMBLY INTERCONNECTIONS



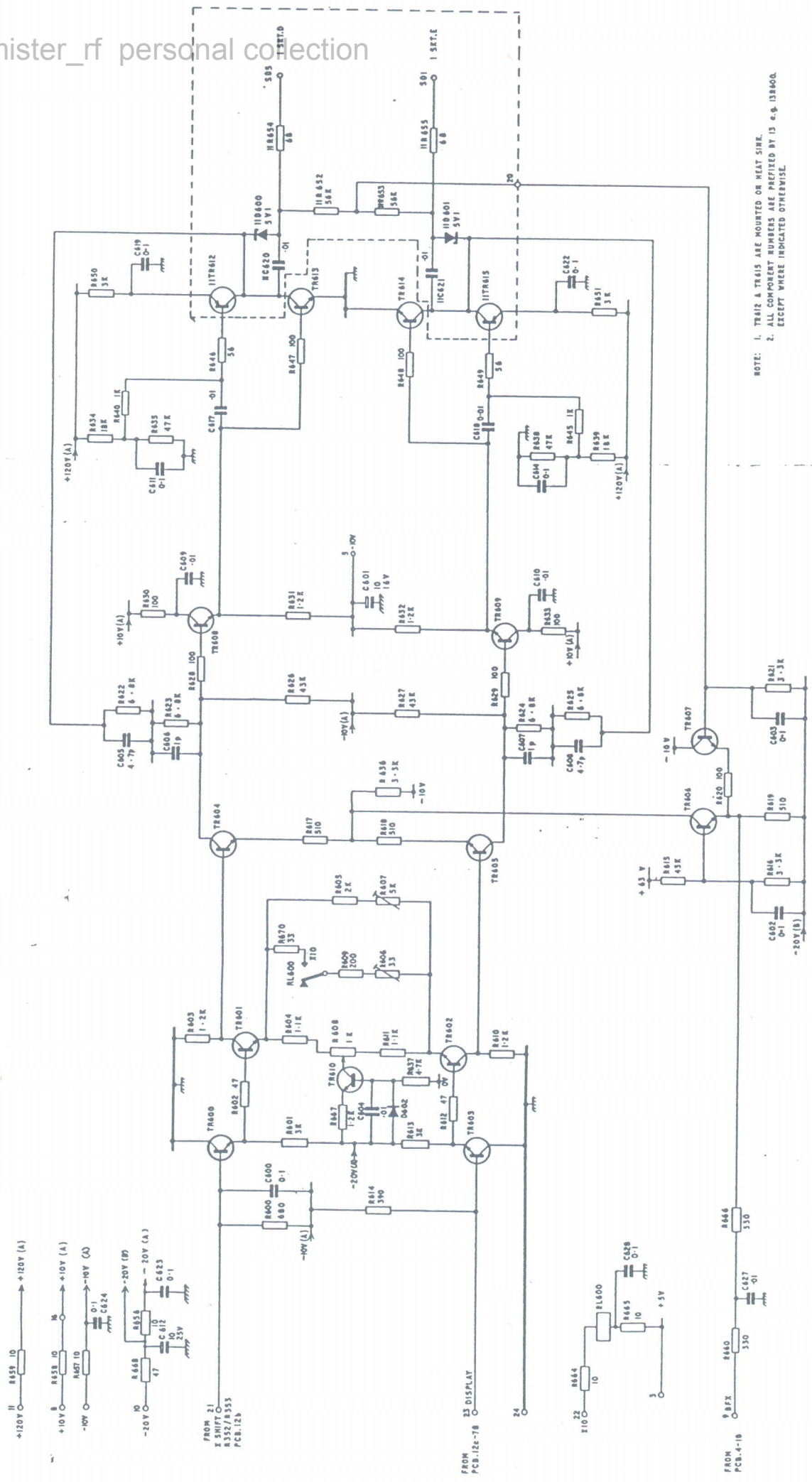
NOTE
 1. ALL COMPONENTS ENCLOSED IN BROKEN LINES ARE OFF THE BOARD.
 2. ALL OTHER COMPONENTS PREFIX 129, 6-6, 12NR312

B TRIGGER (P.C.B.12b)

FIG. 5. 12b/2
 C/D. 80662. SHEET 6. 2nd ISSUE

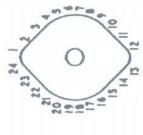
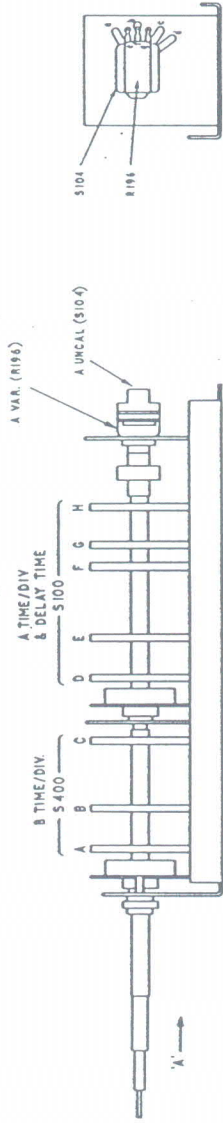


NOTE.
 1. ALL COMPONENTS ENCLOSED IN
 I. BROKEN LINES ARE OFF THE BOARD
 2. ALL OTHER COMPONENTS PREFIX IZc 4.4. IZc R456

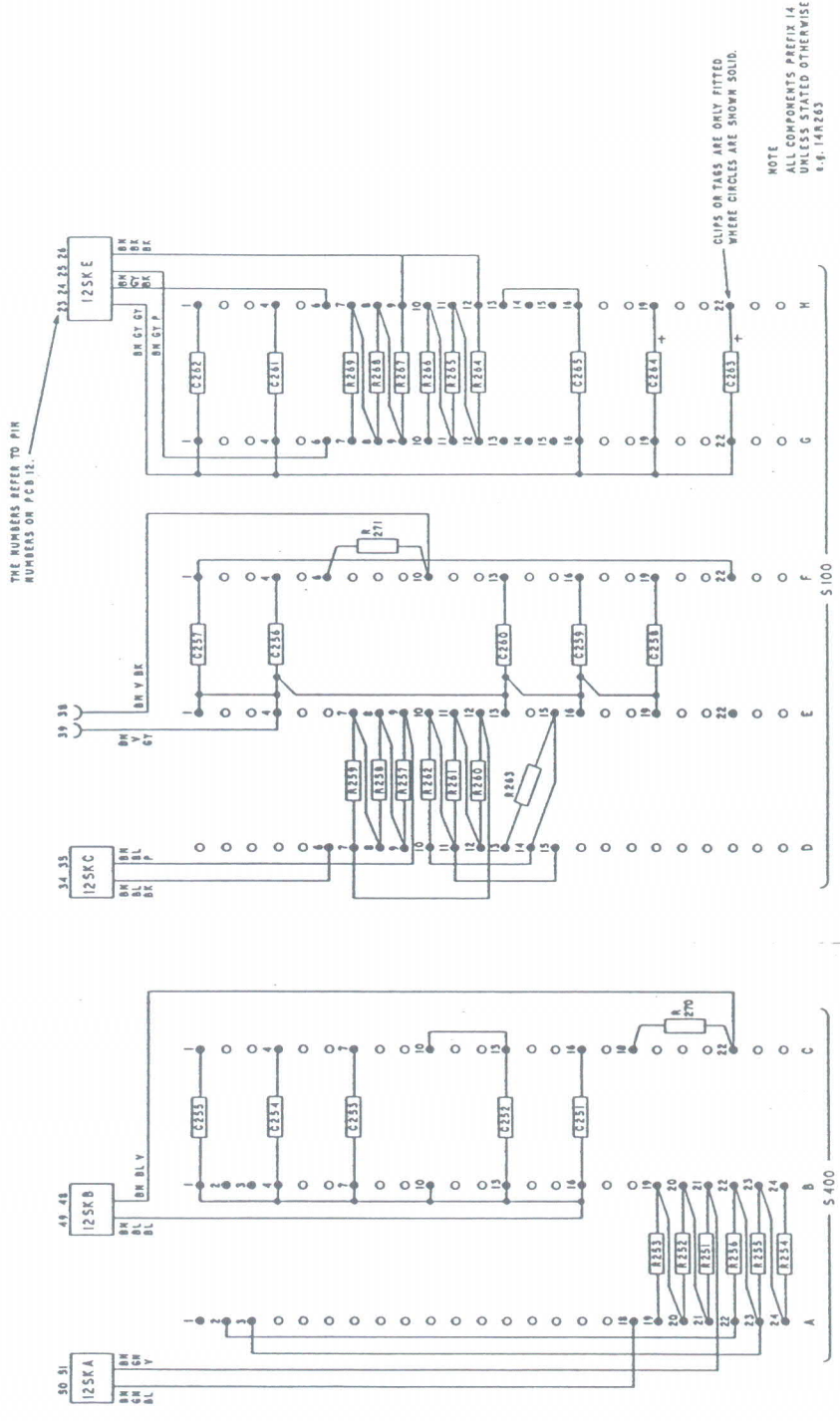


NOTE: 1. TR612 & TR615 ARE MOUNTED ON HEAT SINK.
 2. ALL COMPONENT NUMBERS ARE PREFIXED BY 13 e.g. 13R400.
 EXCEPT WHERE INDICATED OTHERWISE.

X AMPLIFIER (P.C.B. 13.)

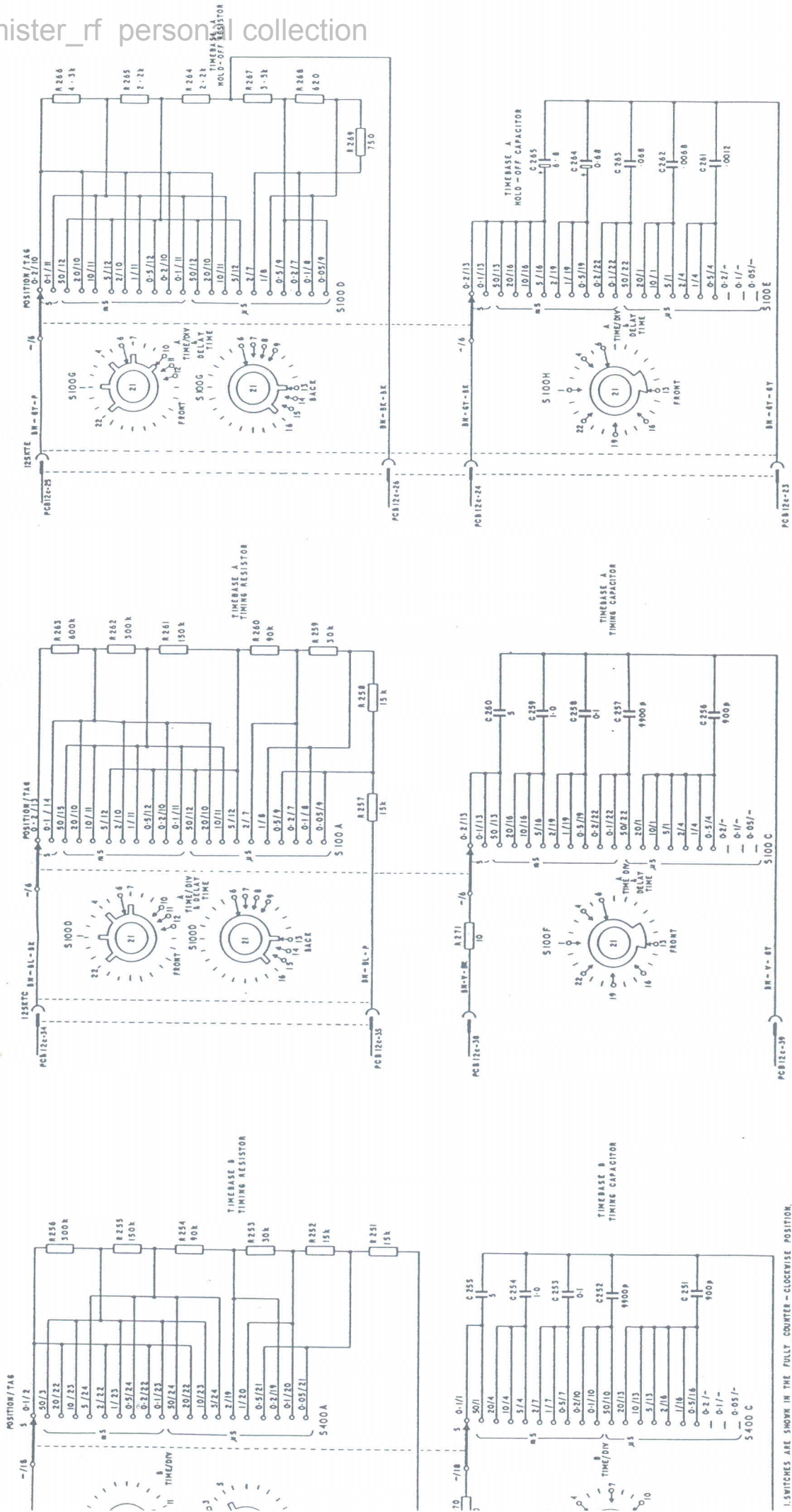


SWITCH WAFER VIEWED IN DIRECTION 'A'



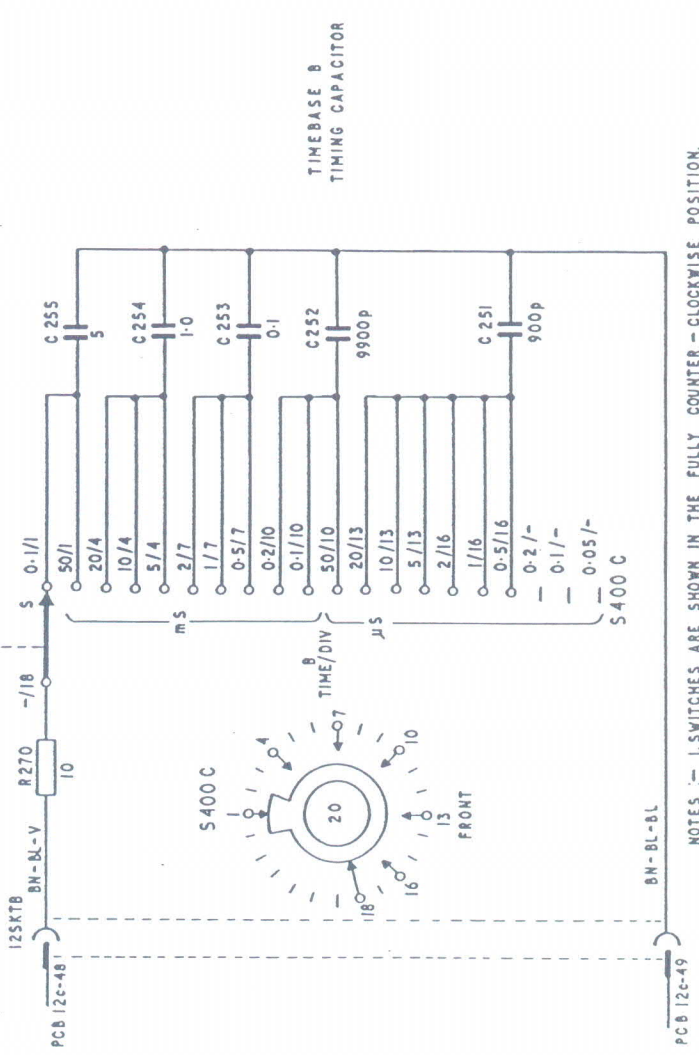
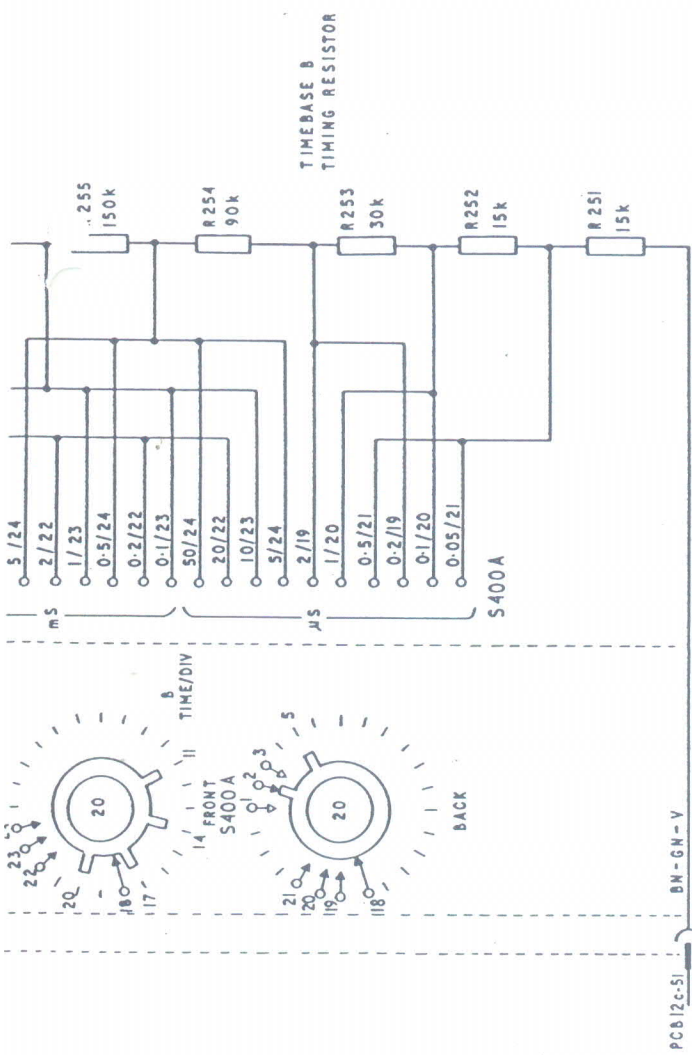
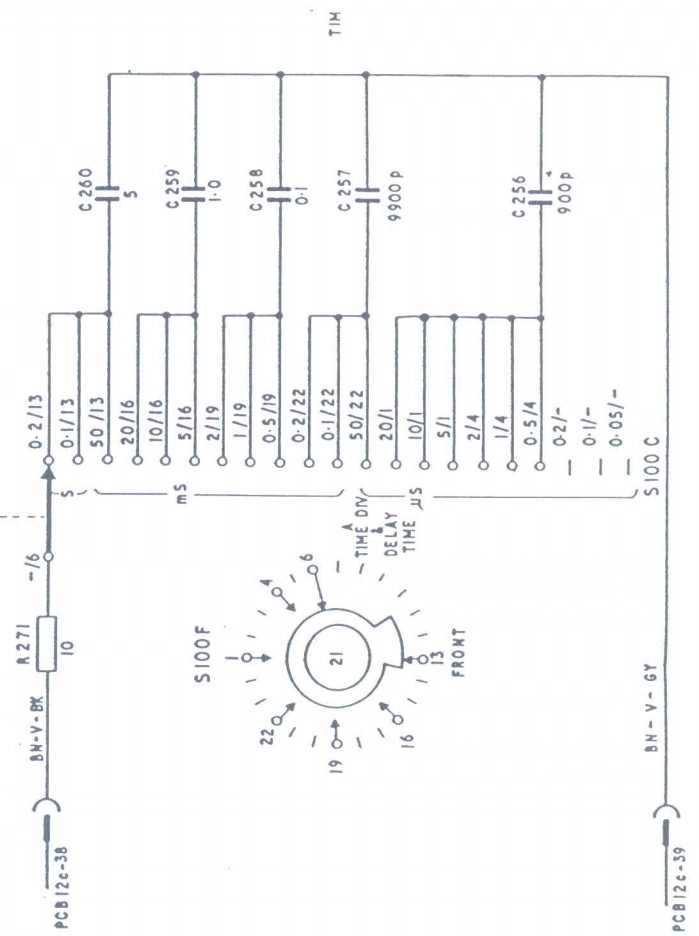
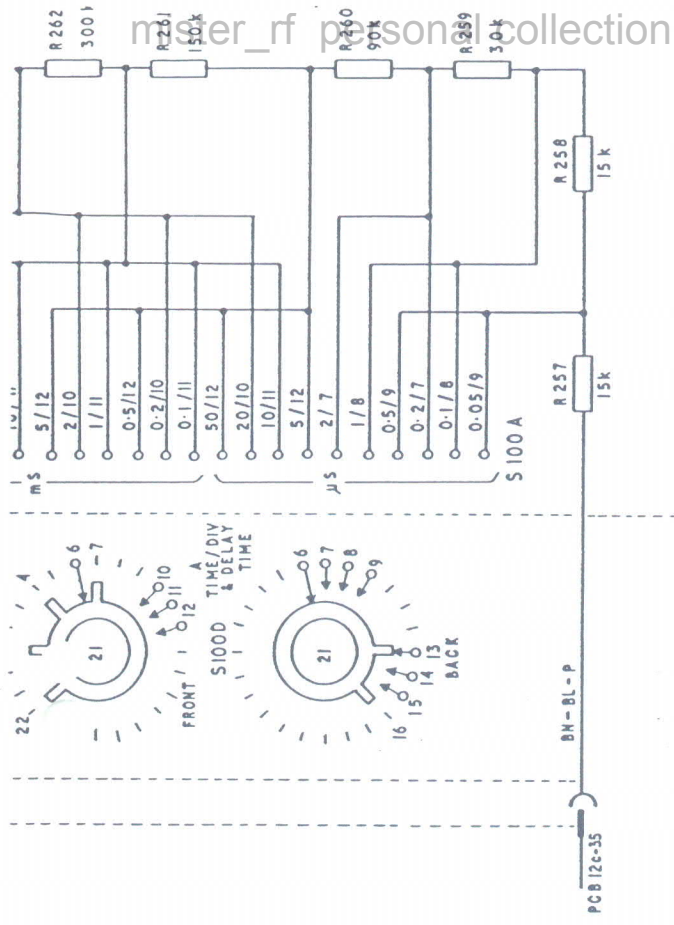
TIMEBASE SWITCHES COMPONENT LOCATION

FIG. 5. 14/1



1. SWITCHES ARE SHOWN IN THE FULLY COUNTER - CLOSURE POSITION.
2. TAGS ON THE FRONT OR BACK FACE OF WAFER ARE SHOWN AS VIEWED FROM THE FRONT (CROB) END.
3. IN THE TAG LOCATION DIAGRAMS THE CENTRE NUMBER INDICATES THE NUMBER OF SWITCH POSITIONS.
4. ALL COMPONENTS PREFIX 14 UNLESS STATED OTHERWISE E.G. 14R256.

TIME BASE SWITCHES



- NOTES :-
1. SWITCHES ARE SHOWN IN THE FULLY COUNTER - CLOCKWISE POSITION.
 2. TAGS ON THE FRONT OR BACK FACE OF WAFER ARE SHOWN AS VIEWED FROM THE FRONT (KNOB) END.
 3. IN THE TAG LOCATION DIAGRAMS THE CENTRE NUMBER INDICATES THE NUMBER OF SWITCH POSITIONS.
 4. ALL COMPONENTS PREFIX 14 UNLESS STATED OTHERWISE e.g. 14 R256.

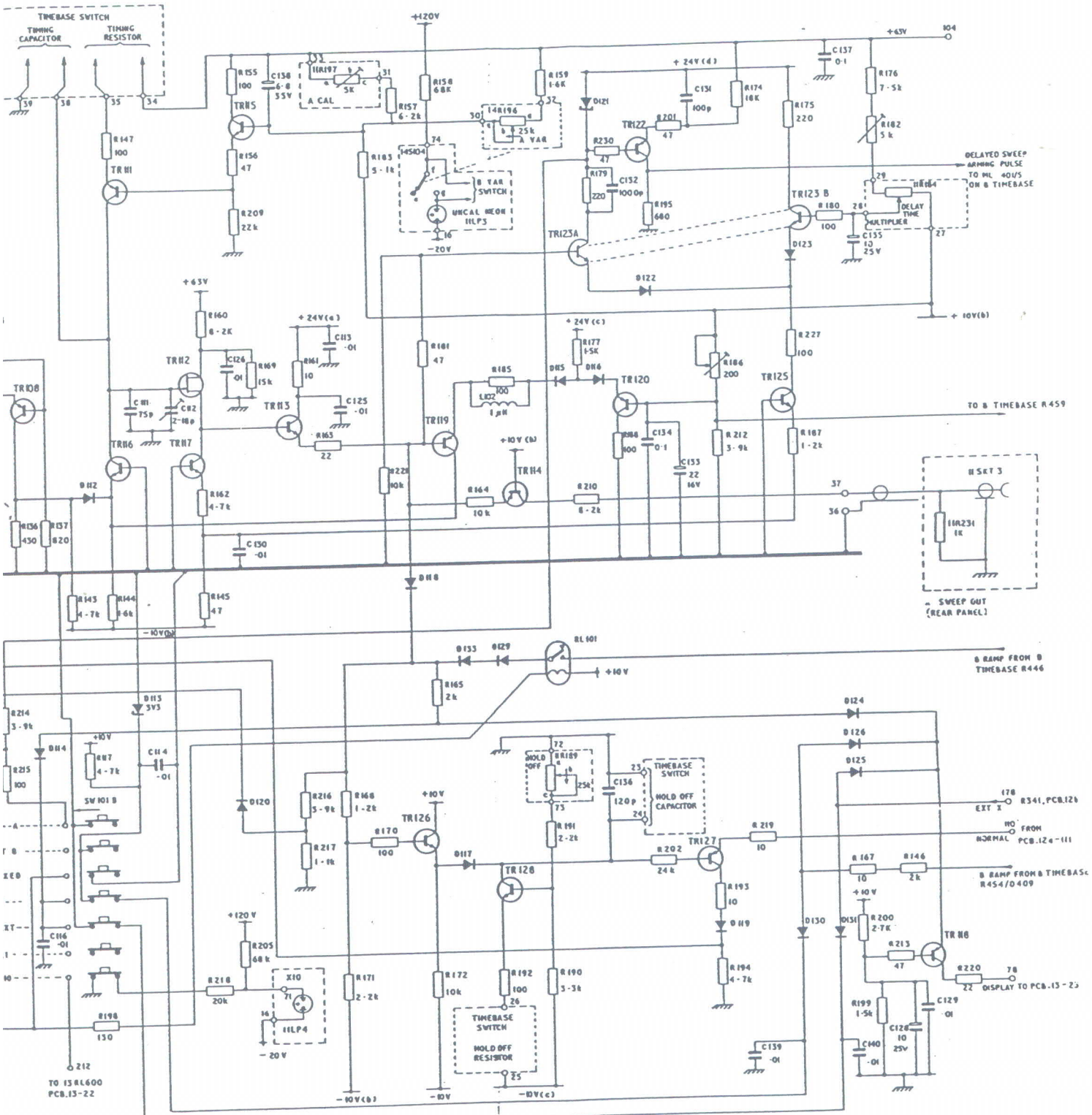
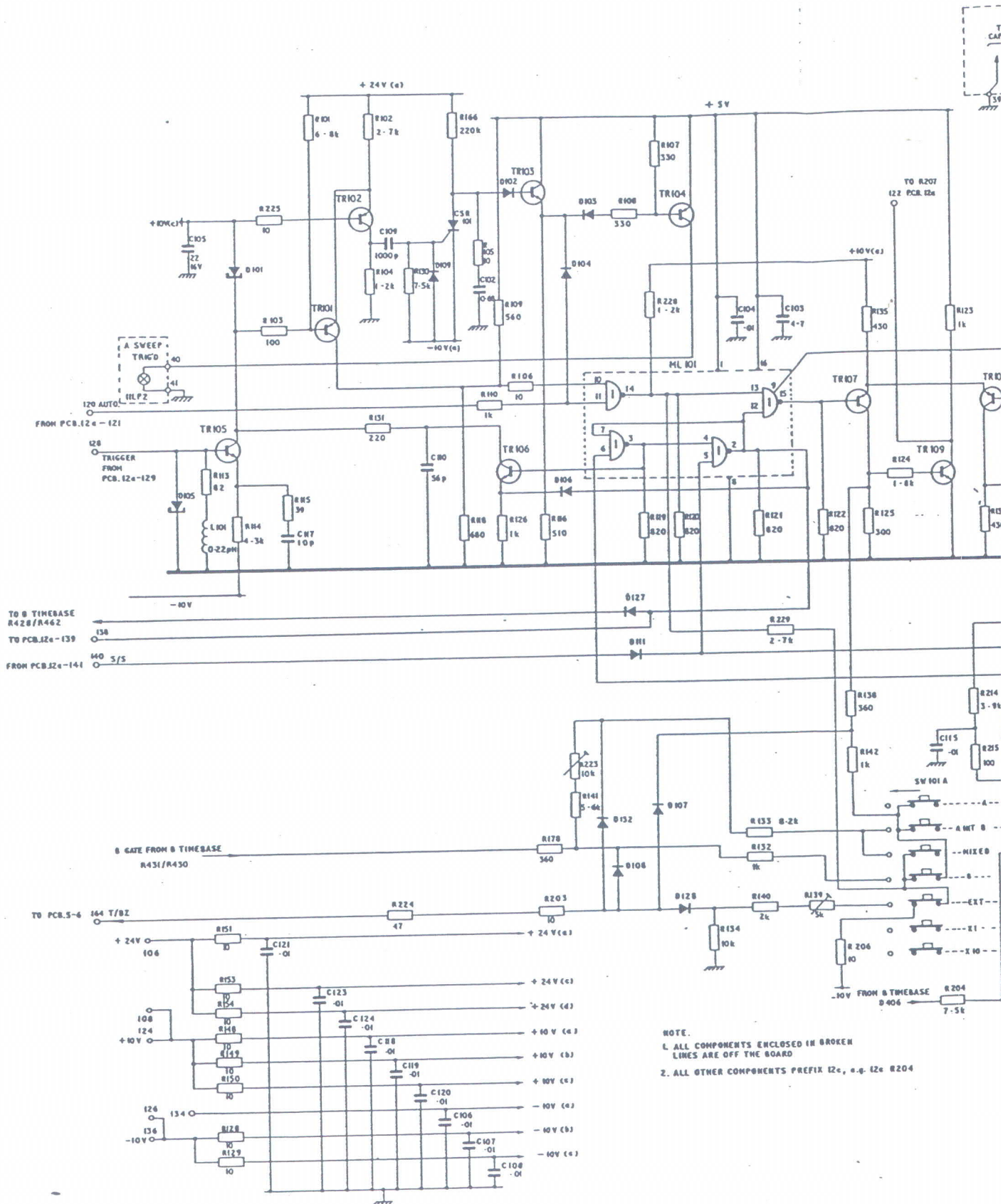
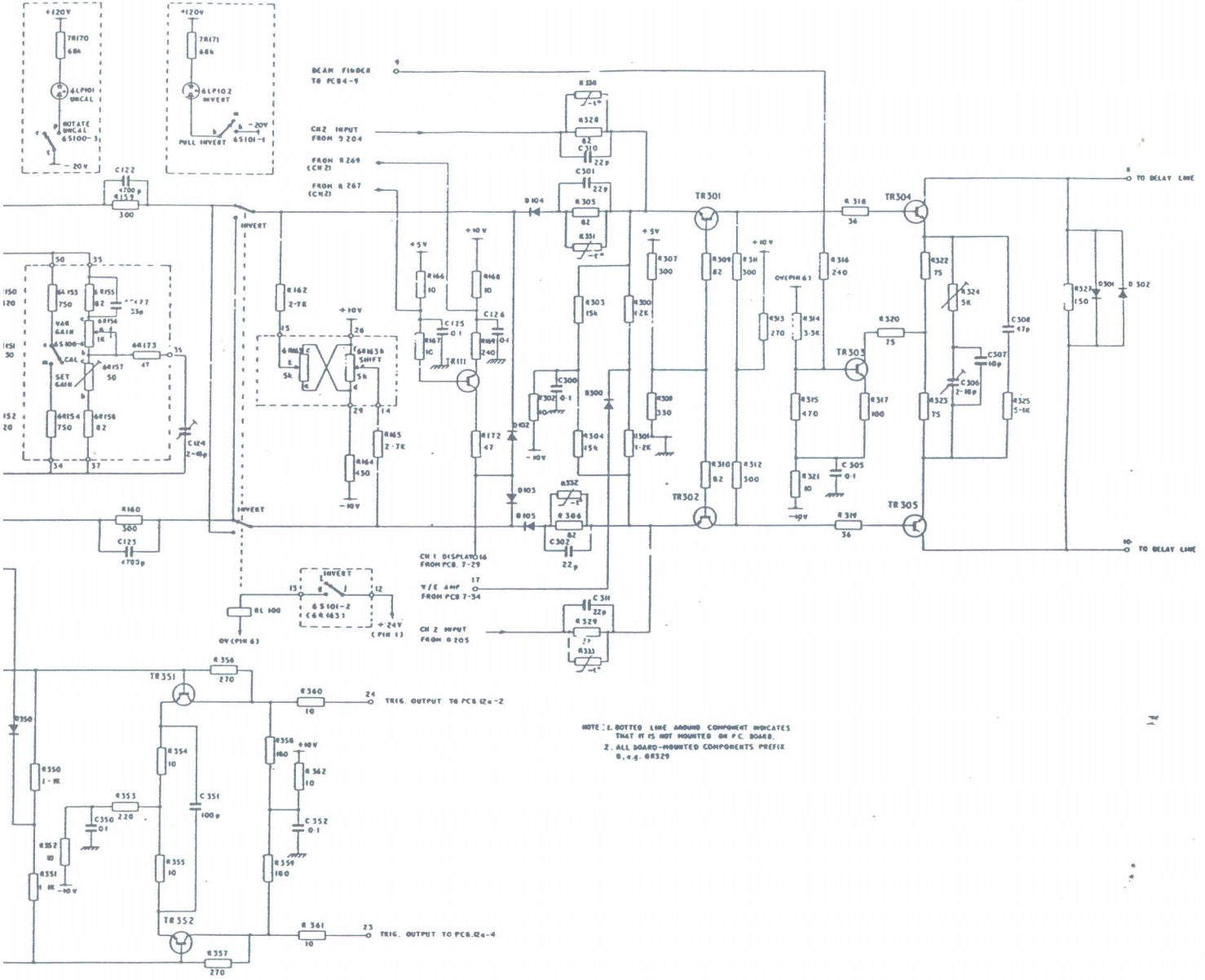


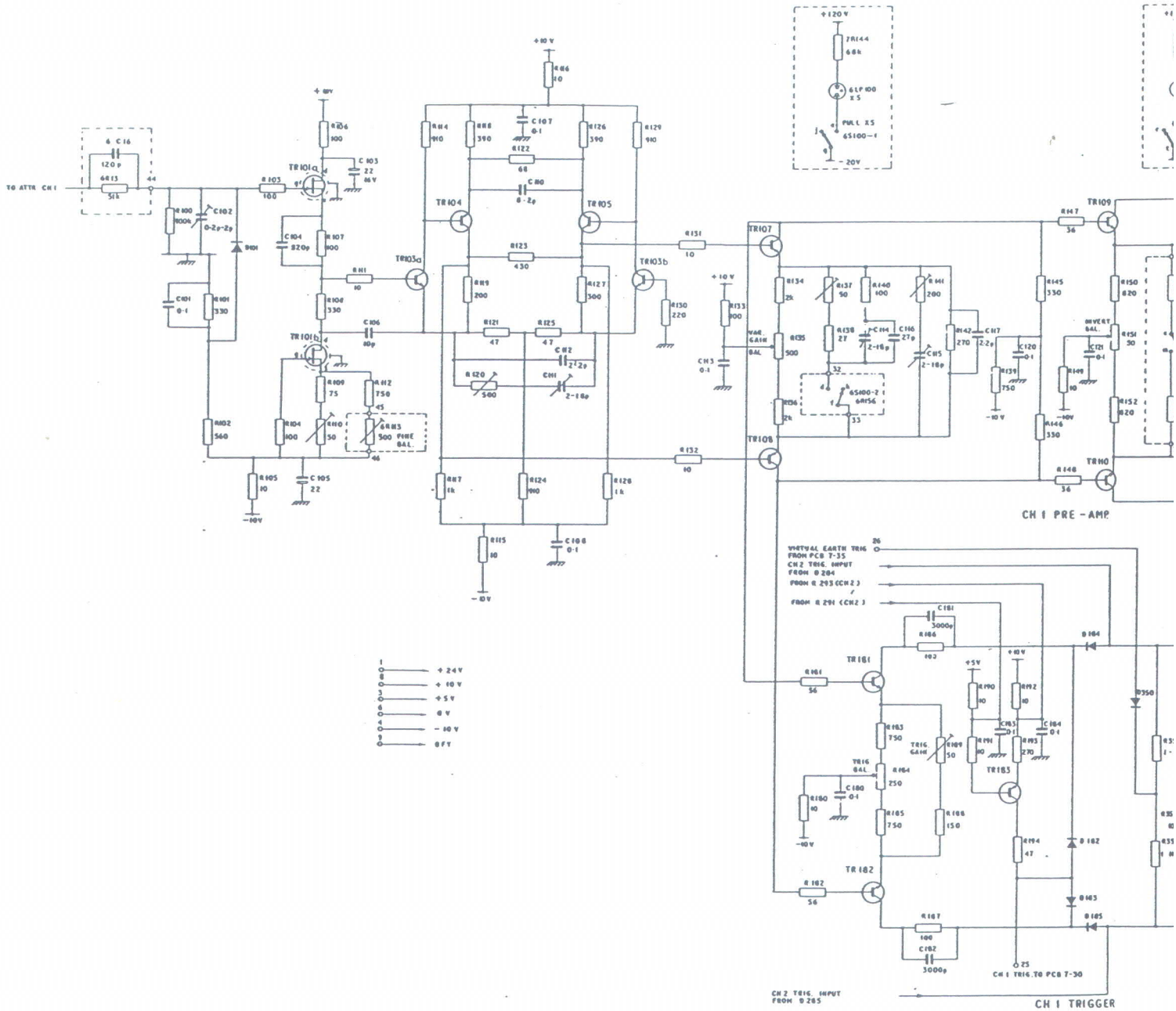
FIG. 5. 12c/2

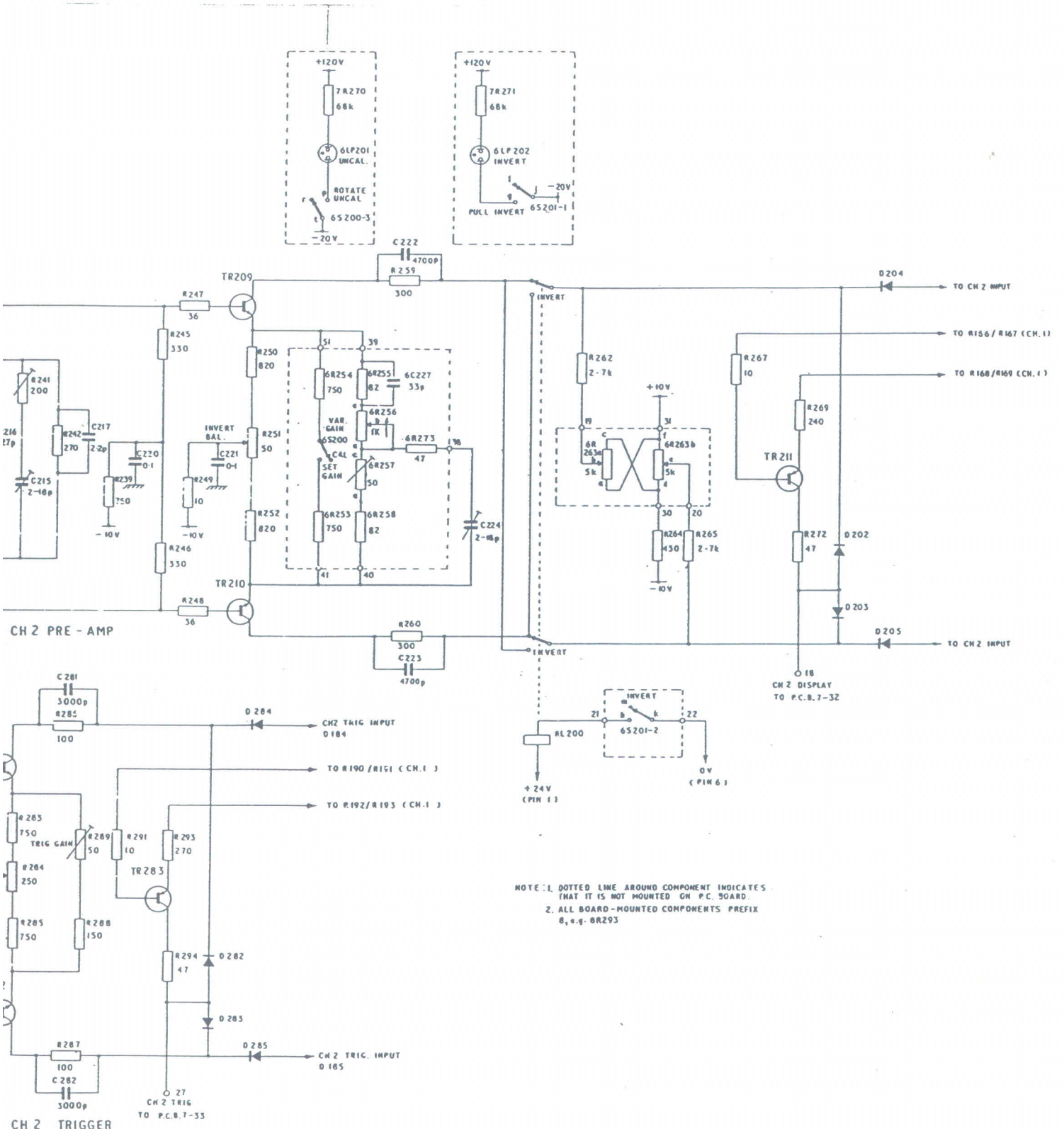




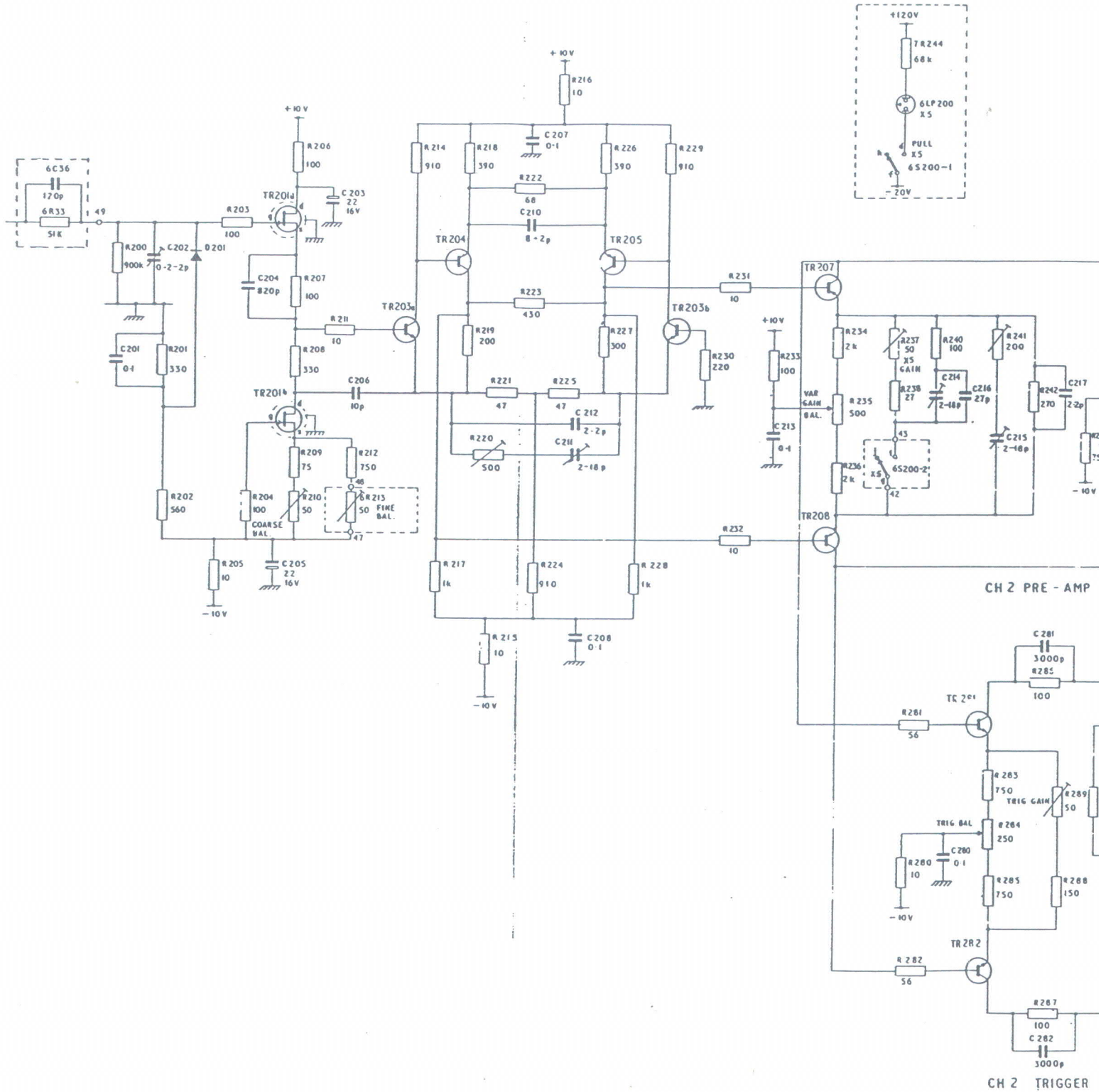
TRIGGER (P.C.B.8.)

FIG. 5. 8/2
C/D. 80562. SHEET 10. 2nd ISSUE





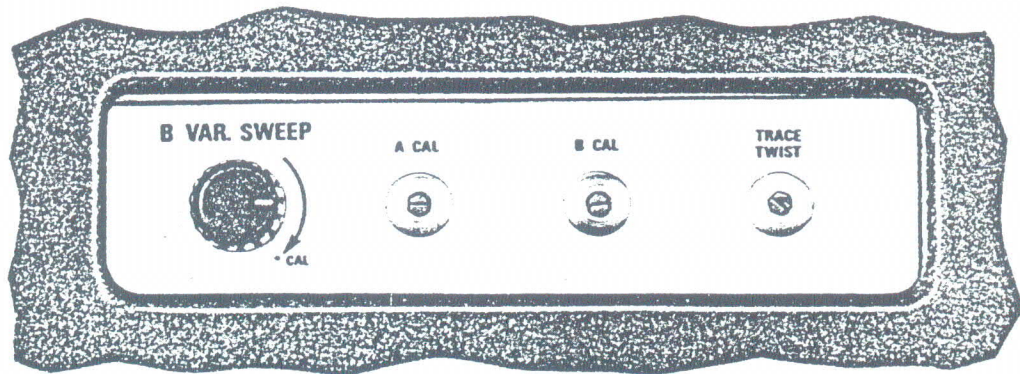
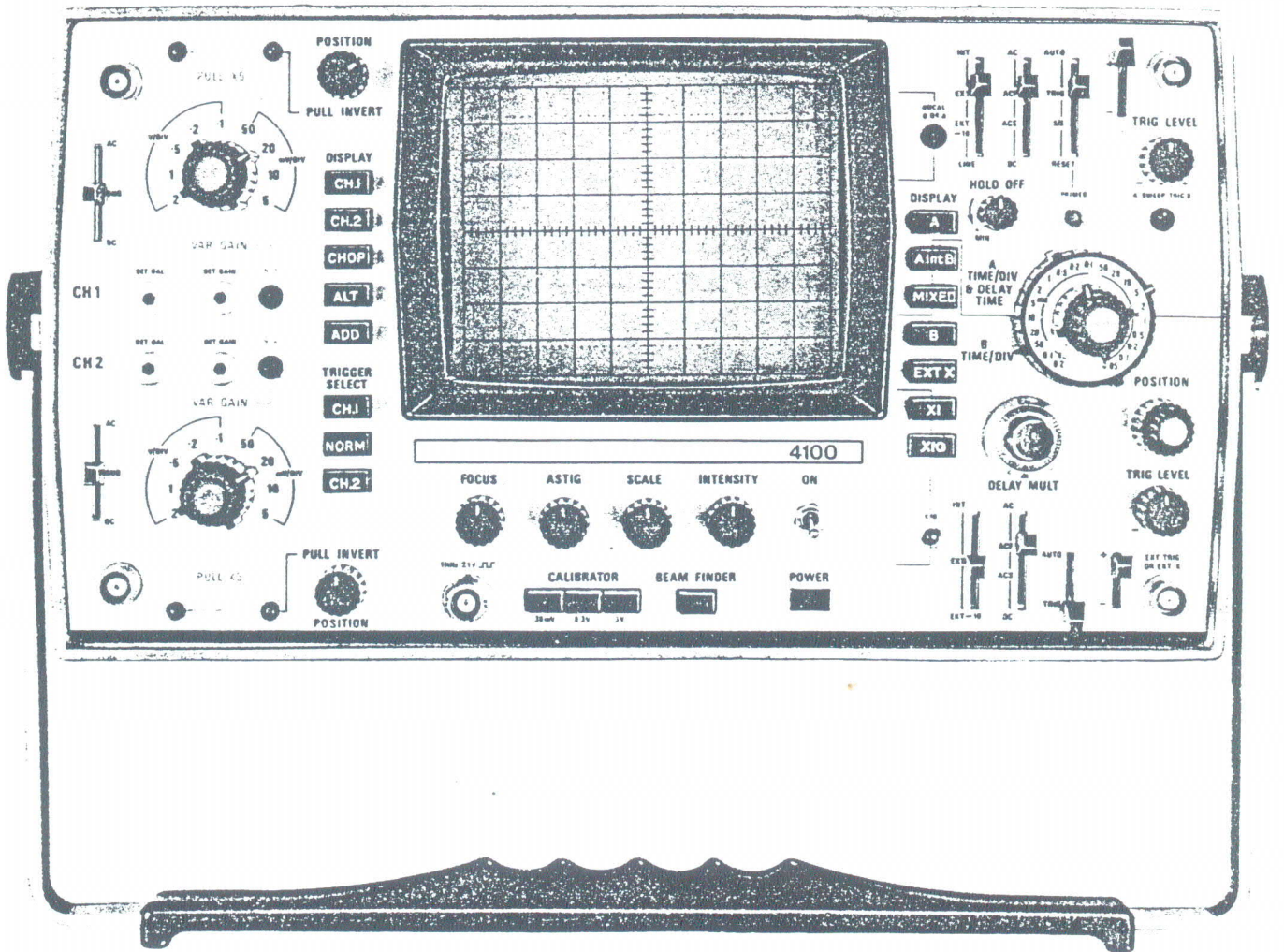
NOTE: 1. DOTTED LINE AROUND COMPONENT INDICATES THAT IT IS NOT MOUNTED ON P.C. BOARD.
 2. ALL BOARD-MOUNTED COMPONENTS PREFIX B, e.g. BR293



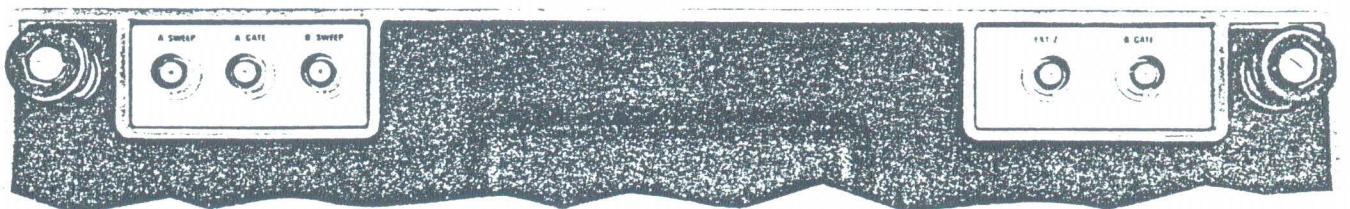
CH 2 PRE - AMP

CH 2 TRIGGER

Y PRE AMP AND TRIGGER (P.C.B.)



ANCILLARY PANEL



REAR CONNECTOR PANELS

FRONT, REAR AND SIDE VIEWS

FIG. 2. I